

Could a B.Sc. work as a simulation engineer?

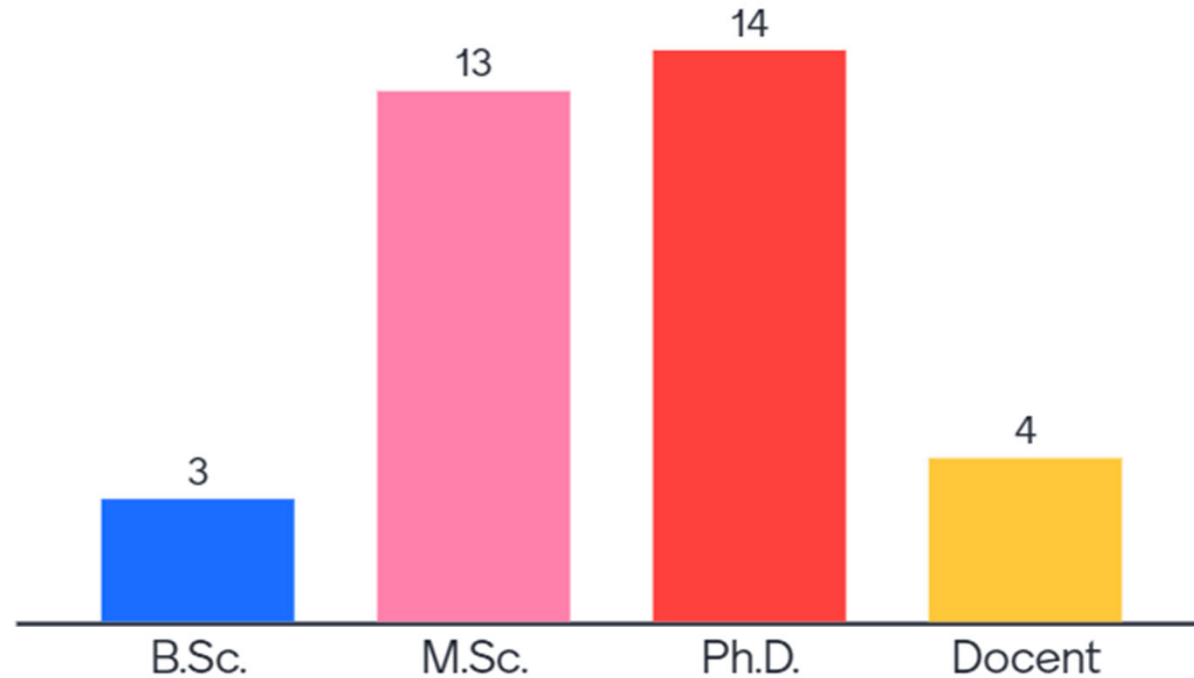
menti.com

Go to www.menti.com and use the code 3541 5621

3541 5621

What academic degree do you have (highest)?

Mentimeter

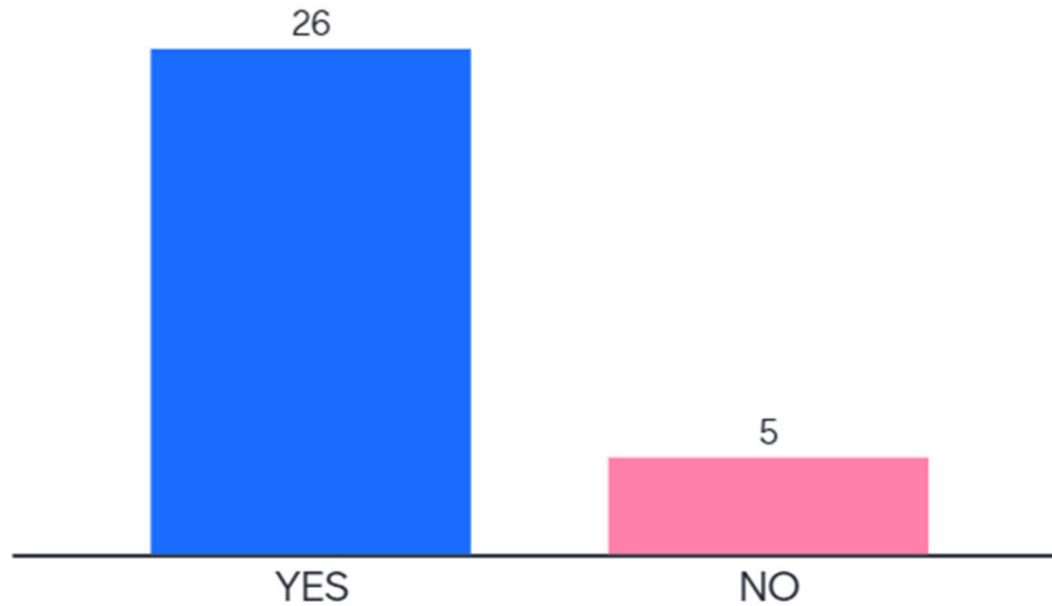


Go to www.menti.com and use the code 1284 4912

1284 4912

Mentimeter

Would you hire engineers with a Bachelor degree in Mechanical Engineering?

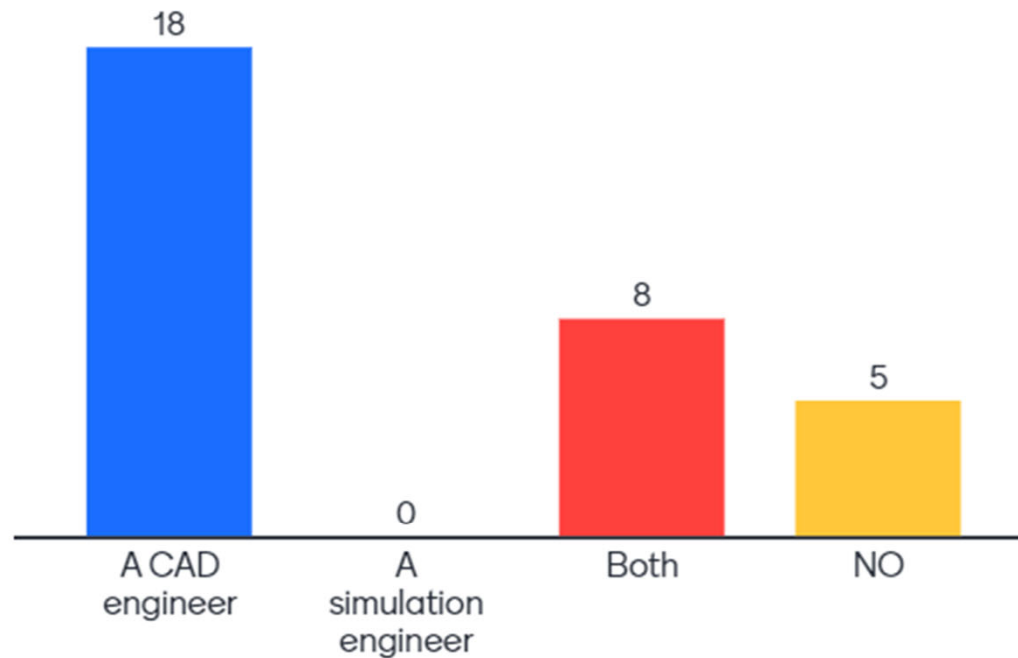


Go to www.menti.com and use the code 5827 1826

58271826



Could you hire a Bachelor in Mechanical Engineering as



Some relevant courses - simulation engineer

- Mechanics 7.5 hp
- Solid mechanics 7.5 hp
- Programming 7.5 hp
- Linear FEA 7.5 hp

Bachelor degree

- Continuum mechanics 7.5 hp
- Constitutive modelling 7.5 hp
- Flexible bodies dynamics 7.5 hp
- Dynamics and control of mechanical systems 7.5 hp
- Nonlinear FEA 7.5 hp
- Statistics and Machine learning 7.5 hp
- Design optimization 7.5 hp
- Reliability analysis of mechanical systems 7.5 hp
- CFD 7.5 hp

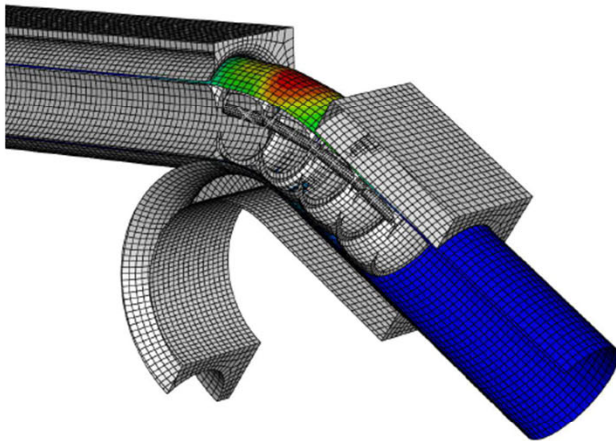
Master degree

Nonlinear FEA and Design Optimization for Mechanical Engineers

(4th version)

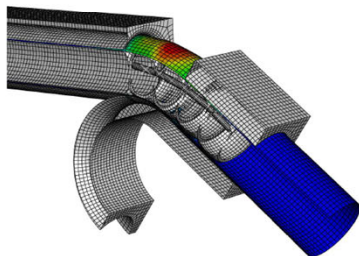
Niclas Strömberg
niclas.stromberg@oru.se

August 18, 2022



www.fema.se

1	Introduction to FEA	13
1.1	Strong formulation	14
1.2	Weak formulation	15
1.3	Finite element formulation	16
1.4	Assembly procedure	18
1.5	Direct and iterative solvers	21
1.6	Truss analysis	24
1.7	Exercises	28
2	Continuum mechanics	35
2.1	Kinematics	36
2.2	The stress concept	40
2.3	Piola-Kirchhoff's stresses	43
2.4	Conservation of mass	47
2.5	Equation of motion	49
2.6	Balance in energy and entropy	51
2.7	Objectivity	53
2.8	Standard material	58
2.9	Orthotropic elasticity	62
2.10	The bulk modulus	68
2.11	Hashin-Shtrikman bounds	69
2.12	Material interpolation laws	71
2.13	Exercises	73
3	Elasticity problems	77
3.1	Strong and weak formulations	78
3.2	Finite element formulation	79
3.3	Numerical integration	82
3.4	Example	83
3.5	Quadratic elements	86
3.6	Plates and shells	89
3.7	Non-linear elasticity	91
3.8	Viscoelasticity	97
3.9	Exercises	98
4	Contact problems	103
4.1	Signorini's contact conditions	103
4.2	Contact algorithms	106
4.3	Coulomb's friction law	112
4.4	Wear	115
4.5	The mortar approach	120
4.6	Existence and uniqueness	123
4.7	Soft contact (standard material)	124
4.8	Exercises	127
5	Plasticity theory	131
5.1	Associative plasticity	132
5.2	J_2 -plasticity	134
5.3	The logarithmic strain	137
5.4	Nominal and Cauchy stress	138
5.5	Radial return	139
5.6	Some common yield surfaces	141
5.7	Anisotropy	148
5.8	Kinematic hardening	152
5.9	Exercises	154
6	Thermomechanics	159
6.1	Thermoelasticity	159
6.2	The heat transfer problem	162
6.3	Conduction, convection and radiation	165
6.4	Coupled thermomechanical problems	166
6.5	Thermomechanical contact problems	167
6.6	Residual stresses	170
6.7	Steady convection-conduction	175
6.8	Exercises	177
7	Transient problems	179
7.1	Explicit and implicit approaches	179
7.2	Stable time step	180
7.3	Runga-Kutta's method	181
7.4	An example - the elastic bar	182
7.5	The central difference method	183
7.6	Newmark's method	184
7.7	Impact of rigid bodies	186
7.8	Contact dynamics and impact	188
7.9	Eigenvalue problems	193
7.10	Modal analysis with damping	194
7.11	Exercises	197



8	Topology optimization	199	
8.1	Design optimization	199	
8.2	Truss examples	201	
8.3	Compliance optimization	204	
8.4	Sequential programming	206	
8.5	Sensitivity analysis	208	
8.6	Filters	210	
8.7	The Simplex method	213	
8.8	Newton methods	216	
8.9	Optimality Criteria	220	
8.10	Topology optimization with contact constraints	222	
8.11	Maximization of potential energy	226	
8.12	Minimization of weight	226	
8.13	Dynamics	227	
8.14	Large displacements	229	
8.15	A RBFN approach	234	
8.16	Postprocessing	235	
8.17	Exercises	235	
9	Metamodel-based optimization	241	
9.1	Response surfaces	242	
9.2	Successive optimization	246	
9.3	Moving least squares	249	
9.4	Neural networks	251	
9.5	Radial Basis Function Networks	254	
9.6	Polynomial chaos expansion	259	
9.7	Support vector machine	260	
9.8	Sequential Minimal Optimization	266	
9.9	Support vector regression	268	
9.10	1-norm and ∞ -norm support vector machine	272	
9.11	Zeroth order methods	273	
9.12	Kriging	275	
9.13	Optimal regression models	278	
9.14	Cross-validation	280	
9.15	Ensemble of metamodels	282	
9.16	Design of experiments	284	
9.17	Multi-objective optimization	291	
9.18	An example	295	
9.19	Exercises	298	
10	Reliability based design	303	
10.1	Probabilistic design criteria	304	
10.2	FOSM	307	
10.3	FORM	309	
10.4	Non-Gaussian variables	314	
	10.5	SORM	316
	10.6	Monte Carlo simulations	318
	10.7	FORM-based RBDO	321
	10.8	Risk-based design optimization	326
	10.9	RBDO - a benchmark	327
	10.10	RBDO - an example	327
	10.11	Inverse MPP	332
	10.12	Exercises	333
A	Linear algebra	339	
B	Convex analysis	345	
C	Gradient methods	351	
D	Probability theory	359	
E	Laplace and Fourier transformations	367	
F	Matlab	369	
G	Fluid dynamics	377	
H	Shape optimization - sensitivities	381	
I	TopoBox	383	
J	MetaBox	387	
K	Miscellaneous	395	

Go to www.menti.com and use the code 3288 4533

3288 4533



List three important courses for a simulation engineer?



Go to www.menti.com and use the code 2371 8719

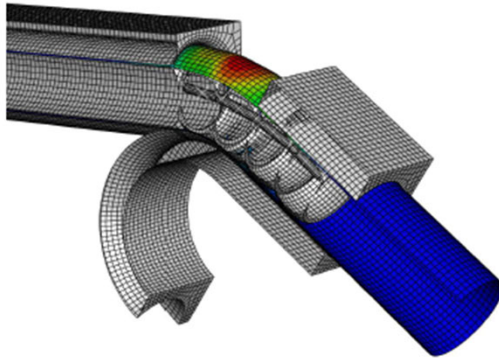
2371 8719



Do you miss any relevant course for your daily work?



Modelling and simulation engineer - 1 year Magister



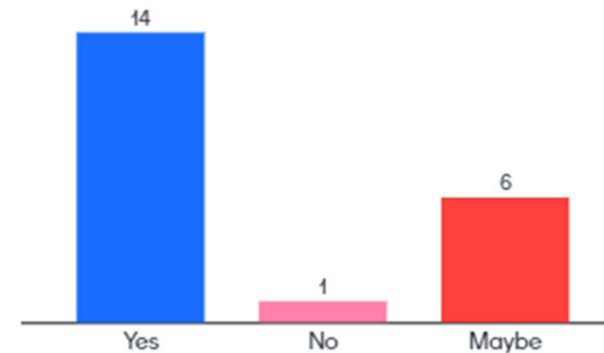
- Continuum mechanics 7.5 hp
- Constitutive modelling 7.5 hp
- Mechanical vibrations 7.5 hp
- Flexible bodies dynamics 7.5 hp
- Nonlinear FEA 7.5 hp
- Design optimization 7.5 hp
- Thesis project 15 hp

1911 9836

Go to www.menti.com and use the code 1911 9836

Could this 1 year programme be of interest?

Mentimeter



23

