

LifeExt

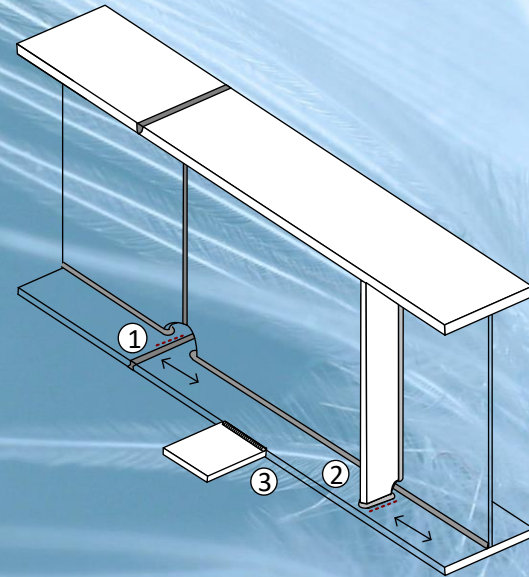
PhD student: Martin Edgren

Duration: 2017--2021

Funding: Industrial PhD – DEKRA Industrial
Advisor: Prof. Zuheir Barsoum

Research Scope:

- Proposing life extending, local post welding methods for existing steel bridges
- Updated calculation approaches based on new load spectrum analysis and NDT methods for screening based on key details for life estimation
- Aiming on delivering a holistic view of the life extending procedure - implementation of life prolonging method to evaluation and quality assurance of applied techniques



LIGHTer



University logotype, Division and
Department Project partners