

Conceptual design methodology for battery electric heavy vehicle chassis

PhD student: A.M. Veltman

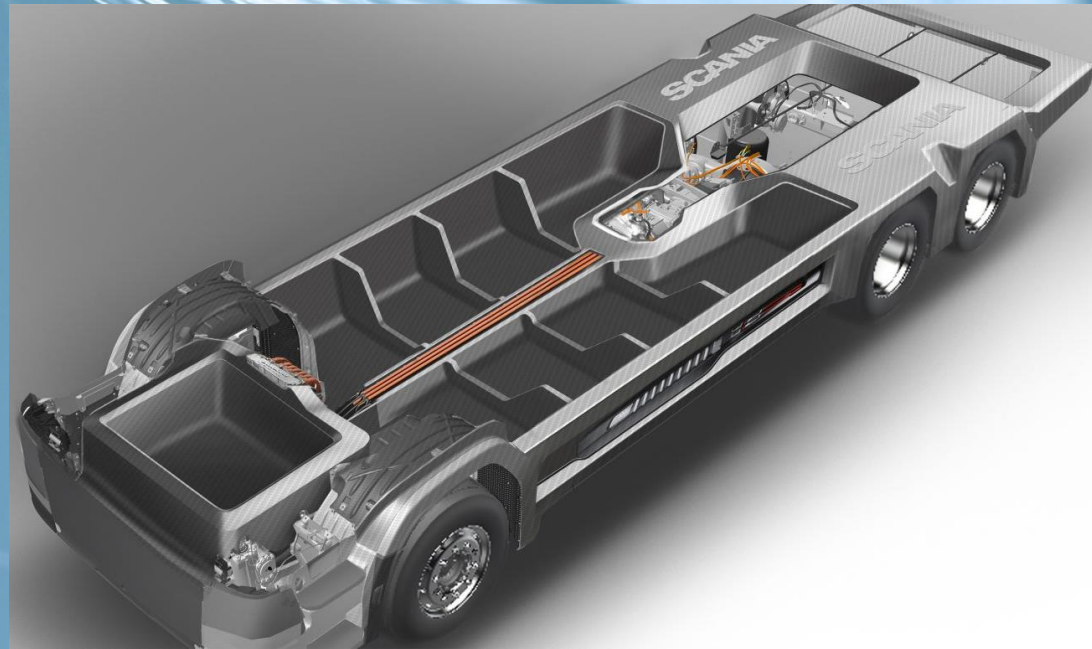
Duration: Autumn 2018 –
Autumn 2022
or Spring 2023

Funding: Scania CV AB

Advisor: Prof. Malin Åkermo

Research Scope:

- Cost-efficient manufacturing of composite materials for load bearing structures
- Modularisation
- Design for Manufacturing
- Design for Maintenance
- Life Cycle Analysis



LIGHTer



SCANIA CV AB

KTH: Aerospace and Vehicle Engineering, ECO2 Vehicle design Research Centre